



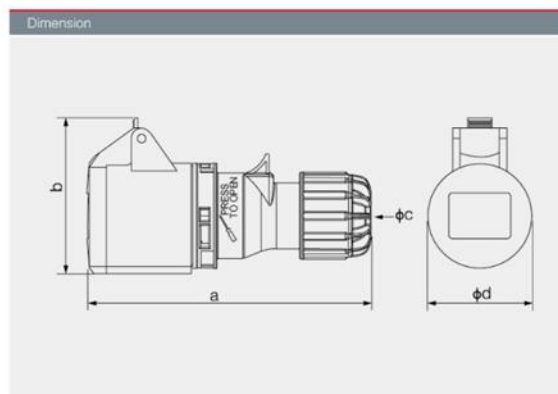
Product Code

VP32009



16A 3P+N+E Industrial Coupler IP44

★ Rated current:16A
★ Rated voltage: 220-380V/240-415V
★ No. of poles:3P+N+E
★ Protection degree: IP44
★ Housing material: Flame Retardant PA6 RoHS Reach Contact: nickel-plated brass RoHS Reach
★ Standards: IEC60309-1, IEC60309-2
★ Certificates: S,CB,CE,TUV,ISO9001:2008,RoHS,REACH



Current	16A			32A		
	Pole 3	4	5	3	4	5
a	130	135	142	162	162	163.5
b	75.6	83	89.5	94	94	100
c	15	15	17	22	22	22
d	52	58	62.8	64.6	64.6	71
Cable size(mm ²)	1-2.5			2.5-6		

